

# VRM VIDEO

**1-6 BUTTON MODULAR VIDEO WITH UK MANUFACTURED VANDAL RESISTANT FACE PLATES**



## COMPATIBLE SYSTEMS



## STANDARD FINISHES



VRM/VRW

BRUSHED  
STAINLESS  
STEEL



BLM/BLW

SATIN  
BLACK



BRM/BRW

CLASSIC  
BRASS

## BESPOKE OPTIONS AVAILABLE



OVER 9000  
RAL COLOURS TO  
CHOOSE FROM

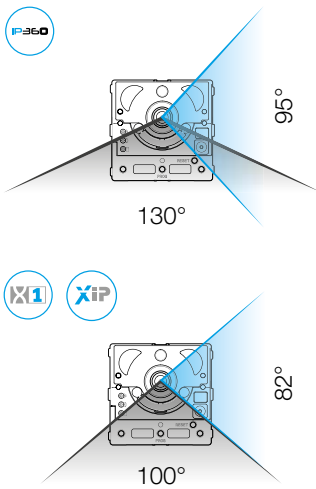


LASER ENGRAVING  
& ETCHING



VARIETY OF PUSH  
BUTTON OPTIONS

## VIEWING ANGLE



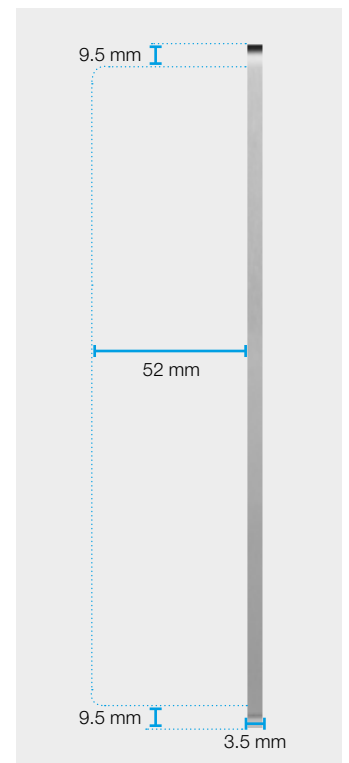
## DIMENSIONS - SIZE 2



## SURFACE MOUNTED



## FLUSH MOUNTED





VRM VIDEO - 1 BUTTON



VRM VIDEO - 2 BUTTON



VRM VIDEO - 3 BUTTON



VRM VIDEO - 4 BUTTON



VRM VIDEO - 5 BUTTON



VRM VIDEO - 6 BUTTON

**VRM ENTRY PANELS WITH VIDEO 1-6 BUTTON – ELECTRONIC MODULES & SURFACE HOUSING SOLD SEPERATLEY**

Buttons	Description	Size (mm) (wxhxd)	System	Code
1	316 Marine grade steel construction with brushed finish with the option to surface or flush mount (Electronics sold separately)	130x226x74mm		VRMV1
2	316 Marine grade steel construction with brushed finish with the option to surface or flush mount (Electronics sold separately)	130x226x74mm		VRMV2
3	316 Marine grade steel construction with brushed finish with the option to surface or flush mount (Electronics sold separately)	130x226x74mm		VRMV3
4	316 Marine grade steel construction with brushed finish with the option to surface or flush mount (Electronics sold separately)	130x226x74mm		VRMV4
5	316 Marine grade steel construction with brushed finish with the option to surface or flush mount (Electronics sold separately)	130x226x74mm		VRMV5
6	316 Marine grade steel construction with brushed finish with the option to surface or flush mount (Electronics sold separately)	130x226x74mm		VRMV6

**VRM SURFACE HOUSING  
(FOR THE PANELS SHOWN ABOVE)**

Panel Size	Dimensions (wxhxd)	Code
2	130x226x74mm	VRMSH2